



## Rack enclosure RR IP 55

RR – is a large standing enclosure, characterized by the ability to connect several enclosures of the same type in series. The standard offer includes 48 dimensions. Tables with catalogue numbers are available on the following pages of the catalogue.

Type	Corrosivity category	Material / additional description	Coating
RR	C2	steel sheet	RAL7035
RR-P	C2	steel sheet / transparent door	RAL7035
RR-ZN	C3	galvanized steel sheet	RAL7035
RR-AL	C3*	aluminum sheet	RAL7035
RR-OH	C4**	stainless steel 1.4301 (AISI 304)	BRUSHED
RR-KO	CX**	acid-proof steel 1.4404 (AISI 316L)	BRUSHED

### General information:

- Ingress protection according to IP code: 55
- Impact resistance according to IK code: 10
- Operating temperature range: -30 – +80°C

### Basic data:

- Body: welded; frame with perforations; side covers screwed into the frame
- Closure: hinged door with 105 ° opening angle; the possibility of independent change of the door opening direction; lock in the form of a handle with the possibility of mounting a latch insert with a key
- Enclosures of 1000 mm width and more have double-leaf doors
- Mounting plate: in each version is made of 2 mm thick galvanized steel sheet, mounted on perforated brackets adjustable on the entire depth of the enclosure
- Cable entry: there is an adjustable gland plate in the bottom, its dimensions depend on the width of the enclosure
- Grounding: threaded grounding studs in the door and enclosure body
- Other information: The door has an internal stiffening made of perforated u-bars to facilitate mounting of additional elements.

### Additional options:

- Increase of the operating temperature range from -50 to +120°C
- Unusual dimensions
- Punching in the door, body or mounting plate
- Painting to any color according to the RAL palette



Download product data sheet!

Description	Page
Locks	91
Mounting plates	96
Vertical beams	100-102
Modular constructions	102-104
Internal doors	108-109
Plinths	115-116
Side covers	122
Roofs	124-125
Cable entry	119-121
Wall brackets	130
Ventilation	81
Heaters	82-83
Air conditioners	85-89

The technical documentation is available on pages 152-153

The following table presents empty enclosures.

No.	Dimensions (W × H × D mm)	Catalogue No. RR	Catalogue No. RR-P	Catalogue No. RR-ZN	Catalogue No. RR-AL	Catalogue No. RR-OH	Catalogue No. RR-KO
1	400 × 2000 × 400	140-001	141-001	143-001	140-101	142-001	142-101
2	400 × 2000 × 500	140-002	141-002	143-002	140-102	142-002	142-102
3	400 × 2000 × 600	140-003	141-003	143-003	140-103	142-003	142-103
4	600 × 1200 × 500	140-004	141-004	143-004	140-104	142-004	142-104
5	600 × 1200 × 600	140-005	141-005	143-005	140-105	142-005	142-105
6	600 × 1600 × 500	140-006	141-006	143-006	140-106	142-006	142-106
7	600 × 1600 × 600	140-007	141-007	143-007	140-107	142-007	142-107
8	600 × 1800 × 400	140-008	141-008	143-008	140-108	142-008	142-108
9	600 × 1800 × 500	140-009	141-009	143-009	140-109	142-009	142-109
10	600 × 1800 × 600	140-010	141-010	143-010	140-110	142-010	142-110
11	600 × 1800 × 800	140-011	141-011	143-011	140-111	142-011	142-111
12	600 × 2000 × 400	140-012	141-012	143-012	140-112	142-012	142-112
13	600 × 2000 × 500	140-013	141-013	143-013	140-113	142-013	142-113
14	600 × 2000 × 600	140-014	141-014	143-014	140-114	142-014	142-114
15	600 × 2000 × 800	140-015	141-015	143-015	140-115	142-015	142-115
16	600 × 2200 × 600	140-016	141-016	143-016	140-116	142-016	142-116
17	600 × 2200 × 800	140-017	141-017	143-017	140-117	142-017	142-117
18	800 × 1200 × 500	140-018	141-018	143-018	140-118	142-018	142-118
19	800 × 1200 × 600	140-019	141-019	143-019	140-119	142-019	142-119
20	800 × 1600 × 500	140-020	141-020	143-020	140-120	142-020	142-120
21	800 × 1600 × 600	140-021	141-021	143-021	140-121	142-021	142-121
22	800 × 1600 × 800	140-022	141-022	143-022	140-122	142-022	142-122
23	800 × 1800 × 400	140-023	141-023	143-023	140-123	142-023	142-123
24	800 × 1800 × 500	140-024	141-024	143-024	140-124	142-024	142-124
25	800 × 1800 × 600	140-025	141-025	143-025	140-125	142-025	142-125
26	800 × 2000 × 400	140-026	141-026	143-026	140-126	142-026	142-126
27	800 × 2000 × 500	140-027	141-027	143-027	140-127	142-027	142-127
28	800 × 2000 × 600	140-028	141-028	143-028	140-128	142-028	142-128
29	800 × 2000 × 800	140-029	141-029	143-029	140-129	142-029	142-129
30	800 × 2200 × 600	140-030	141-030	143-030	140-130	142-030	142-130
31	800 × 2200 × 800	140-031	141-031	143-031	140-131	142-031	142-131
32	1000 × 1800 × 400	140-032	141-032	143-032	140-132	142-032	142-132
33	1000 × 1800 × 600	140-033	141-033	143-033	140-133	142-033	142-133
34	1000 × 2000 × 400	140-034	141-034	143-034	140-134	142-034	142-134
35	1000 × 2000 × 500	140-035	141-035	143-035	140-135	142-035	142-135
36	1000 × 2000 × 600	140-036	141-036	143-036	140-136	142-036	142-136
37	1000 × 2000 × 800	140-037	141-037	143-037	140-137	142-037	142-137
38	1200 × 1200 × 500	140-038	141-038	143-038	140-138	142-038	142-138
39	1200 × 1600 × 500	140-039	141-039	143-039	140-139	142-039	142-139
40	1200 × 1800 × 400	140-040	141-040	143-040	140-140	142-040	142-140
41	1200 × 1800 × 500	140-041	141-041	143-041	140-141	142-041	142-141
42	1200 × 1800 × 600	140-042	141-042	143-042	140-142	142-042	142-142
43	1200 × 2000 × 400	140-043	141-043	143-043	140-143	142-043	142-143
44	1200 × 2000 × 500	140-044	141-044	143-044	140-144	142-044	142-144
45	1200 × 2000 × 600	140-045	141-045	143-045	140-145	142-045	142-145
46	1200 × 2000 × 800	140-046	141-046	143-046	140-146	142-046	142-146
47	1200 × 2200 × 600	140-047	141-047	143-047	140-147	142-047	142-147
48	1200 × 2200 × 800	140-048	141-048	143-048	140-148	142-048	142-148



**RR**  
IP 55

#### Scope of delivery:

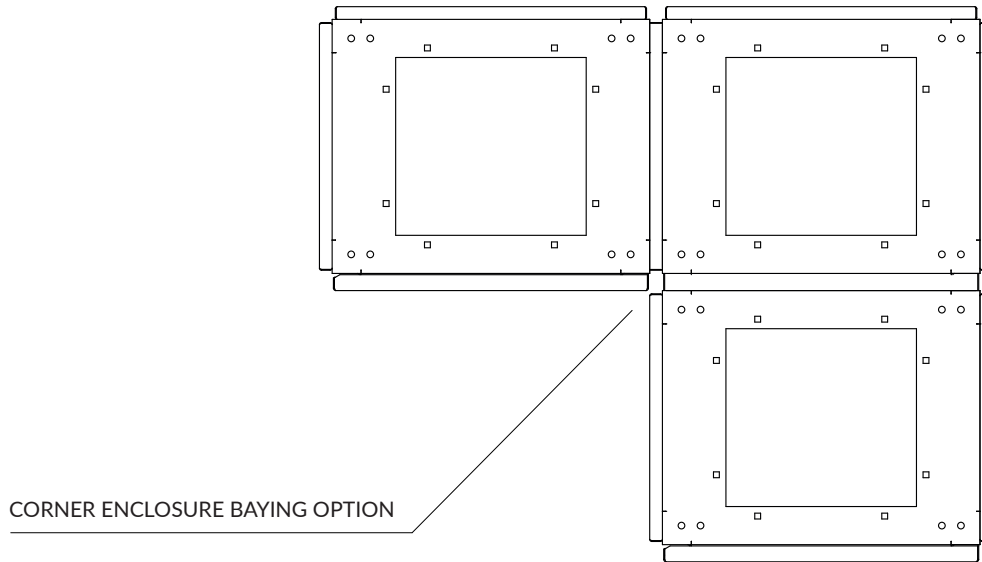
Assembled enclosure with door and rear wall, without mounting plate and side panels. The mounting plate, lock insert, side panels and other items must be ordered separately.

The following table presents empty, corner enclosures.

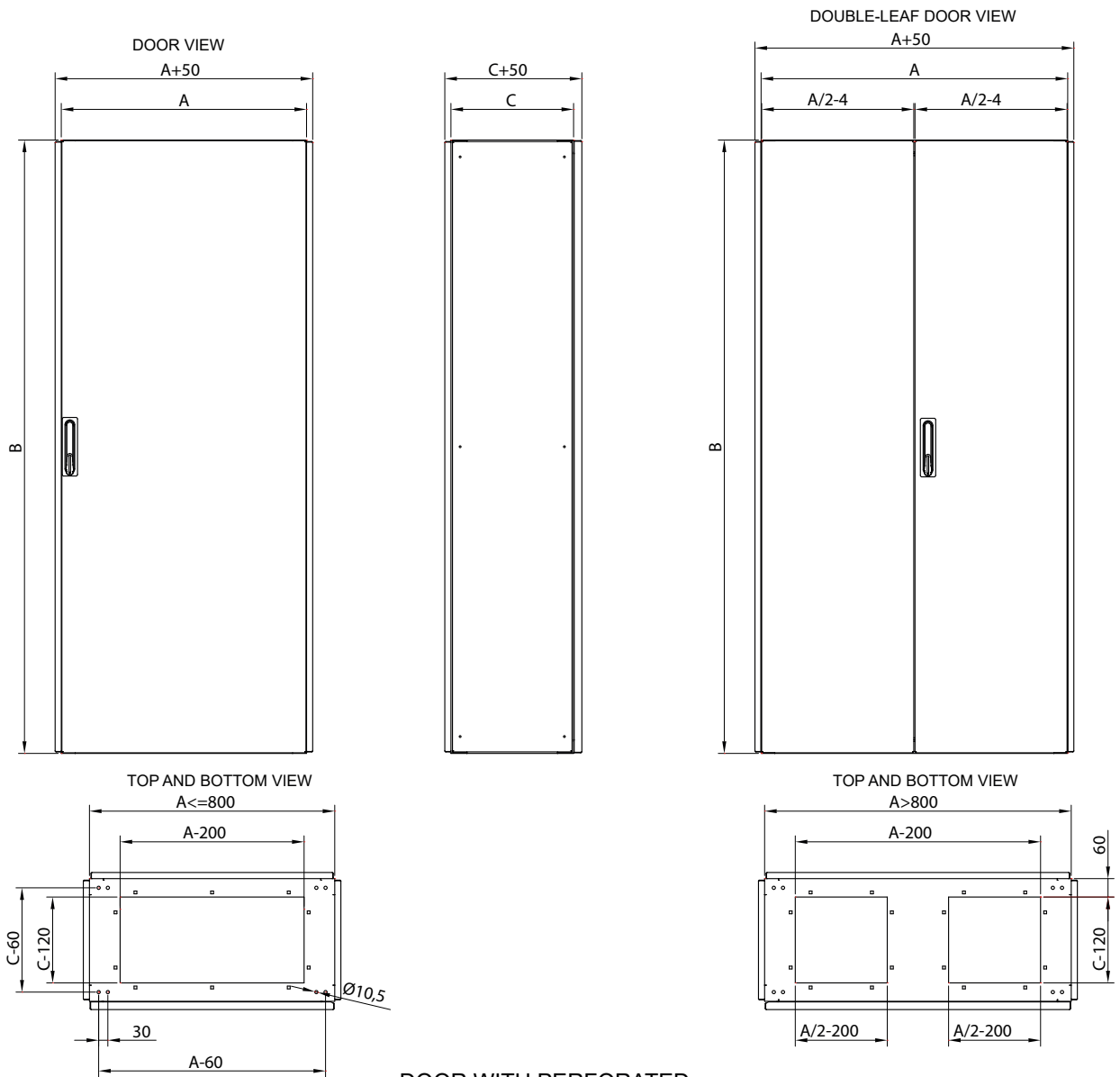
No.	Dimensions (W × H × D mm)	Catalogue No. RR-C	Catalogue No. RR-ZN-C	Catalogue No. RR-AL-C	Catalogue No. RR-OH-C	Catalogue No. RR-KO-C
1	400 × 400 × 2000	144-001	144-101	144-201	144-301	144-401
2	500 × 500 × 1200	144-002	144-102	144-202	144-302	144-402
3	500 × 500 × 1600	144-003	144-103	144-203	144-303	144-403
4	500 × 500 × 1800	144-004	144-104	144-204	144-304	144-404
5	500 × 500 × 2000	144-005	144-105	144-205	144-305	144-405
6	600 × 600 × 1200	144-006	144-106	144-206	144-306	144-406
7	600 × 600 × 1600	144-007	144-107	144-207	144-307	144-407
8	600 × 600 × 1800	144-008	144-108	144-208	144-308	144-408
9	600 × 600 × 2000	144-009	144-109	144-209	144-309	144-409
10	800 × 800 × 1200	144-010	144-110	144-210	144-310	144-410
11	800 × 800 × 1600	144-011	144-111	144-211	144-311	144-411
12	800 × 800 × 1800	144-012	144-112	144-212	144-312	144-412
13	800 × 800 × 2000	144-013	144-113	144-213	144-313	144-413
14	800 × 800 × 2200	144-014	144-114	144-214	144-314	144-414



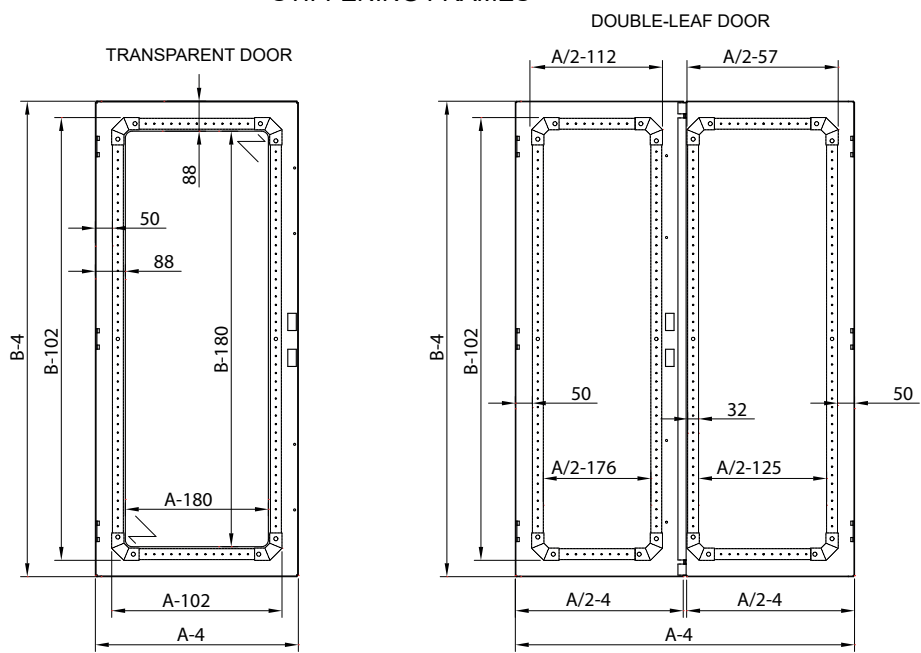
**RR**  
IP 55

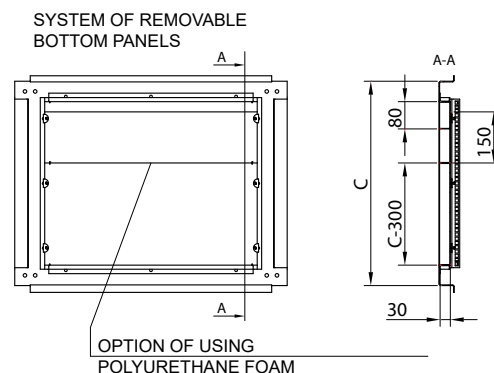
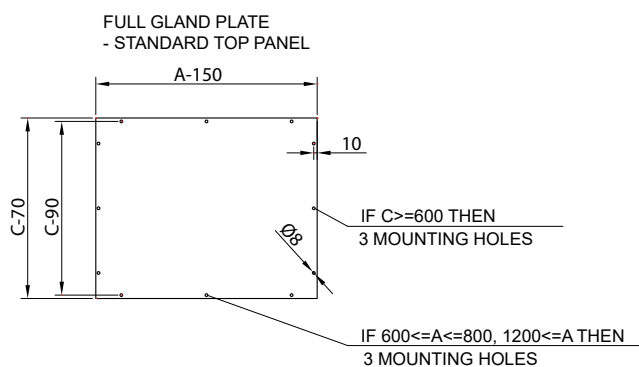
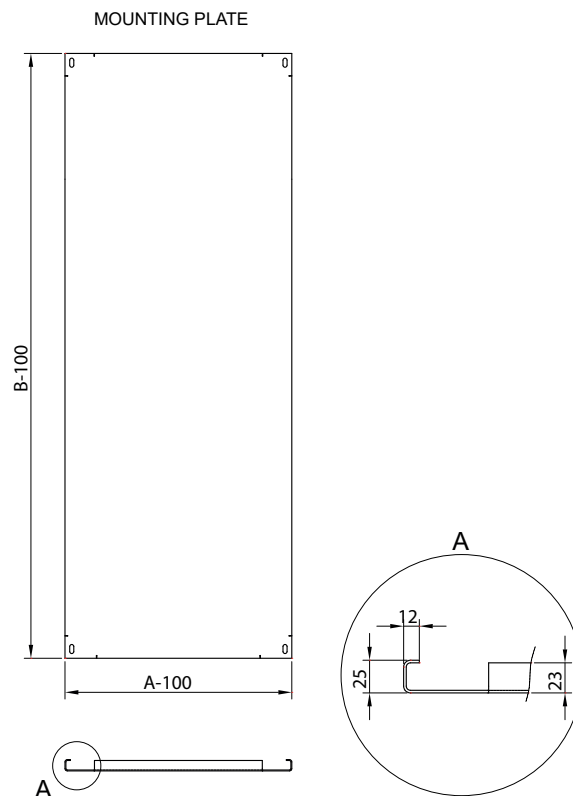
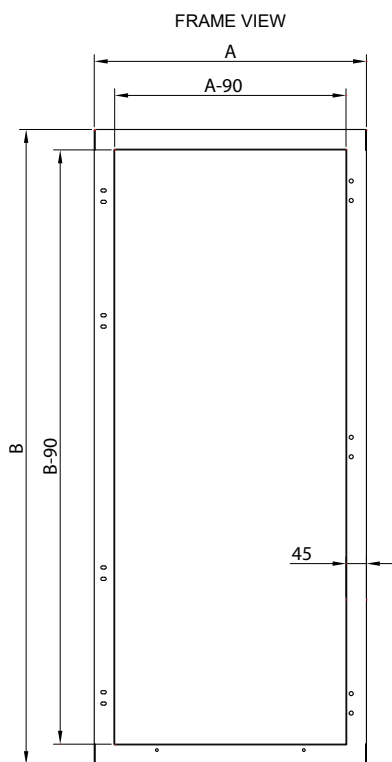


Scope of delivery:  
Assembled enclosure with 2 side panels.



DOOR WITH PERFORATED STIFFENING FRAMES





MOUNTING OF SIDE COVERS DOES NOT  
INCREASE THE INGRESS PROTECTION  
RATING (IPXX) OF THE ENCLOSURE

